

THREE PHASE BOOST RECTIFIER DESIGN

ROHAIZAN BIN SAHER

**A thesis submitted in partial
Fulfillment of the requirement for the award of the
Degree of Master of Electrical Power Engineering**

**Faculty of Electrical and Electronic Engineering
Universiti Tun Hussein Onn Malaysia**

JULY, 2012

*Specially to my beloved wife and son,
and also mother for their love, care and support*



ACKNOWLEDGEMENT

First and foremost, I would like to thank God the Almighty for his bless towards myself. Without his blessing I might not be able to accomplish this report. I would also like to take this opportunity to thank all the people who had assisted me directly and indirectly in completing the project

My first gratitude goes to Prof. Madya Dr. Zainal Alam B. Haron my one and only supervisor for the project whom had given all the support, advice and guidance I might need. He had been guiding me from the very start of the project until the final touch of the thesis write up. With his helps, I had learned many things regarding the project, as well as extra knowledge that I believe I would not have this sort of opportunity elsewhere. The project would obviously not be successful without him. A million thanks to Prof. Madya Dr. Zainal Alam B. Haron.

Very special thanks also to other friends who had guided and helped me a lot with the project. Not to forget, I would also wish to thank all of my lecturers who had given their full co-operation. They had never hesitated to share knowledge and opinion in ensuring the project be completed successfully.

Last but not least, I would like to thank my beloved parents who had given me a lot of moral support while I was struggling with this project. Finally, to all who are involved directly and indirectly with this project, thank you very much.

ABSTRACT

An electric power can be converted from one form to another form by using power electronics devices. The function of power electronics circuits by using semiconductor devices as switch is modifying or controlling a voltage. The goal of power electronics circuits are to convert electrical energy from one form to another, from source to load with highest efficiency, high availability and high reliability with the lowest cost, smallest size and weight. The term rectification refers to the power circuit whose function is to alter the ac characteristic of the line electric power to produce a “rectified” ac power at the load side that contain the dc value. In this project, a study has done for the two types of rectifier topology of alternating current to direct current voltage of a three-phase boost rectifier with pulse width modulation (PWM) and a three-phase boost rectifier with active power filter (APF). Power factor, shape distortion and voltage can be increased as much as seen through two types of this topology if it is connected to the non-linear loads in power systems. Three phase rectifier with pulse-width modulation (PWM) is one of controlled rectifier consist six pulses divides into two groups which are top group and bottom group. For top group, IGBT with its collector at the highest potential will conduct at one time. The other two will be reversed. Thus for bottom group, IGBT with the its emitter at the lowest potential will conduct. This project also observes the current, voltage waveform and the harmonics component when the active power filter (APF) placed in series with non-linear load. Type of rectifier used is uncontrolled rectifier. In this work MATLAB/SIMULINK power system toolbox is used to simulate the system. Results of simulations carried out, the advantages and disadvantages, the increase in voltage and waveform distortion for the system under consideration can be shown.

ABSTRAK

Kuasa elektrik boleh diubah daripada satu bentuk ke bentuk yang lain dengan menggunakan litar peranti kuasa elektronik. Fungsi litar elektronik berkuasa dengan menggunakan peranti semiconductor sebagai suis untuk mengawal dan mengubah arus voltan. Matlamat litar elektronik berkuasa adalah untuk mengubah kuasa elektrik kepada bentuk yang lain, daripada sumber kuasa kepada beban dengan tahap kecekapan yang tertinggi, perihai boleh didapati yang tertinggi, perihai yang dapat dipercayai tertinggi dengan kos yang paling murah, saiz dan berat yang paling kecil. Istilah rektifikasi merujuk kepada litar kuasa yang berfungsi untuk mengubah ciri arus ulang alik dalam talian kuasa elektrik untuk menghasilkan arus ulang alik pada beban yang mengandungi nilai arus terus. Dalam projek ini, kajian dilakukan bagi dua jenis topologi penerus dari arus ulang alik kepada arus terus iaitu penerus penaik voltan tiga fasa dengan pemodulatan lebar denyut (PWM) dan pengubah penaik voltan tiga fasa dengan penapis kuasa aktif (APF). Faktor kuasa, bentuk herotan dan seberapa banyak voltan dapat dinaikkan dilihat melalui dua jenis topologi ini jika ia disambungkan kepada beban tidak linear dalam sistem kuasa. Penerus tiga fasa dengan pemodulatan lebar denyut (PWM) adalah salah satu penerus terkawal yang mengandungi enam denyutan Ia di bahagikan kepada dua bahagian iaitu bahagian atas dan bahagian bawah, yang mana masing-masing mengandungi tiga komponen IGBT. Pada bahagian atas salah satu daripada pemungut IGBT yang menerima voltan pincang hadapan akan beroperasi. Dua lagi IGBT dalam keadaan pincang songsang. Begitu juga yang berlaku di bahagian bawah, pemancar IGBT yang menerima voltan pincang songsang akan beroperasi. Projek ini juga melihat arus, bentuk gelombang voltan dan komponen harmonik apabila penapis kuasa aktif (APF) diletakkan secara bersiri dengan beban yang tidak linear. Jenis penerus yang digunakan adalah dari jenis penerus yang tidak dikawal. Dalam kerja-kerja ini MATLAB / Simulink kuasa sistem toolbox digunakan untuk mensimulasikan sistem. Hasil daripada simulasi yang dijalankan, kelebihan dan kekurangan, peningkatan voltan dan herotan gelombang bagi sistem yang dikaji dapat ditunjukkan.

CHAPTER 1

INTRODUCTION

1.1 Introduction

A switching power rectifier in the power system is convert one level of electrical energy into another level of electrical energy. Converters in the AC to DC conversion field are the most widespread [G. Chesi ,2009] and the operation of a converter can be explained in terms of the input quantities, output quantities, and the switching pattern used to obtain the preferred output. In industrial applications where three-phase ac voltages are available, it is preferable to use three-phase rectifier circuits, compared to single-phase rectifiers. Three-phase rectifiers have the following advantages compared with single-phase rectifiers [Mohan, N., Undeland, T., and Robbins ,1995]

- a. higher output voltage for a given input voltage
- b. lower amplitude ripples, i.e. output voltage is smoother
- c. higher frequency ripples, simplifying filtering
- d. higher power-handling capability
- e. higher overall efficiency

Type of semiconductor device used in the rectifier are different following application as [Enrique Acha ,1997] :

- a. Uncontrolled rectifiers - Diodes as the switches
- b. Phase-controlled rectifiers - SCR (silicon controlled rectifiers)
- c. Pulse-width modulation rectifiers - IGBT.s (insulated gate bipolar transistors) or power MOSFET.s (metal oxide field-effect transistors)

Among three-phase AC to DC rectifiers, boost-type topologies are frequently used because of continuous input currents and high output voltages. The ability to control the system to obtain unity power factor operation of a boost rectifier is important feature of the rectifier topology. The power factor (PF) is defined as the ratio of working power to apparent power. The power quality problems, such as large values of harmonics, poor power factor and high total harmonic distortion, are usually associated with operation of three phase AC to DC converters. An increase in the current harmonics and a decrease in the displacement power factor in AC power lines produced by diode and thyristors are a serious problem, thereby highlighting the importance of the boost rectifier in minimizing these problems.

Active power filter (APF) or pulsewidth-modulation (PWM) rectifiers in distribution systems represents the best solution, in terms of performance and effectiveness, for elimination of harmonic distortion as well as power factor correction, balancing of loads, voltage regulation and flicker compensation. *Sinusoidal PWM* [P. Wood , 1981] is technique employed where the sinusoidal waveform or modulation signal is compared with a very high frequency triangle or carrier signal to obtain the switching pulses for the device.

The shunt APF, connected in parallel with the non-linear load, is commonly utilized to compensate for current disturbances while the series APF is utilized to compensate for voltage disturbances.

The aim of the project is to study an existing three-phase boost rectifier and design a new three-phase boost rectifier topology with minimum value of current harmonics. In this project, trends and future prospects in new three-phase boost rectifier topology with pulsewidth modulation (PWM) and active power filter (APF) are presented and the simulation result will be shown. A method of identification of supply current will be developed by using MATLAB/Simulink for elimination of the harmonics of current and to obtain a sinusoidal current of line.

1.2 Problem of Statement

From the study in this project, there are a large number of switching converter topologies and composite switching converters are possible. The power quality

problems, such as large values of harmonics, poor power factor and high total harmonic distortion, are usually associated with operation of three phase AC/DC converters especially nonlinear load. There have been many approaches to mitigate the harmonics in the rectifier system. They include the following:

- a. active power filters;
- b. six-switch pulsewidth-modulation (PWM) rectifiers;
- c. power-factor correction (PFC) by boost converters;
- d. multipulse rectifiers;
- e. harmonic current injection method.

1.3 Objective of Project

The objective in this project is to develop and compare in term of method or topology of three phase boost rectifier which more efficient and able to solve the nonlinear problem with optimum way. Six-switch pulsewidth-modulation (PWM) rectifiers and active power filter (APF) will be used in this project. The APC topology is unique because the configuration is more reliable. A failed shunt filter does not immediately affect the loads side.

1.4 Scope of Study

The scope of this project is to study the three phase boost rectifier characteristic and effect of the harmonics on non linear loads. The simulation of this project is base on three phase system with six-switch pulsewidth- modulation (PWM) and Uncontrolled rectifier with Active Power Filter (APF) . Modeled by using MATLAB Simulink to analysis the distorted source current waveform drawn by the nonlinear load. At the end of this project, analyze and compare two rectifier topology in term of harmonic currents and the d.c voltage..

1.5 Thesis Outline

The thesis is organized into 5 chapters namely the introduction, literature reviews, methodology, simulations and results analysis, conclusion and recommendation.

Chapter I discuss the background and general idea of the proposed project. The objective and scope of this project are state in this chapter.

Chapter II conducts a detailed literature survey on the previous work done in three phase boost The chapter also includes sections on the past work done in Pulsewidth Modulation (PWM) boost rectifier and boost rectifier with active power filter (APF)

Chapter III details on research methodology of each design state. Two topologies for the connection of boost rectifier; pulsewidth modulation and active power filter are discussed in this chapter with operation of the system.

Chapter IV displays the simulation result and analyze the compensation two different three phase boost rectifier topologies; pulsewidth modulation and active power filter subject to a typical nonlinear load. The simulation design and the result of each stage will be observed.

Chapter V summarizes the work done in the thesis and concludes with suggestions for future work.

CHAPTER 2

LITERATURE REVIEW

2.1 Introduction

This chapter presents a review on the various works previously done on three phase boost rectifier. A three-phase system has certain inherent advantages over a single-phase system. In this chapter discusses the nature of three-phase rectifier and reports the different types of three phase topologies. The topologies are discussed and various strengths and weakness highlighted.

2.2 Boost Derived Rectifier Topologies

Three-phase boost PFC power rectifier have traditionally been the preferred topology for high power applications due to their symmetric current drawing characteristics. A disadvantage to any boost derived topology is the inability to control startup inrush currents and output short circuit conditions, unless bi-directional power flow is possible. The following subsections describe various boost derived topologies.

2.2.1 Three-Phase Six Switch Boost Rectifier

A common six switch boost rectifier topology has the ability to operate as a rectifier as well as an inverter due to the bidirectional power flowing capabilities

(Figure 2.1). It also has good current quality and low EMI emissions [V. Blasko, V. Vaura and W. Niewiadomski ,1998] . The use of bidirectional switches also results in the ability to control the output voltage down to zero, thus, eliminating the problem that boost topologies have with regard to startup inrush currents and output short circuit protection. Unidirectional switches can be used for simplicity at the expense of current control capabilities. The converter is controlled by an output voltage loop for output regulation, and inner current loops which shape the input currents according to their sinusoidal references. The input inductors form part of the boost topology and, as such, work at the switching frequency. As a result, input inductors operating at switching frequencies are smaller in size compared with line frequency input inductors.

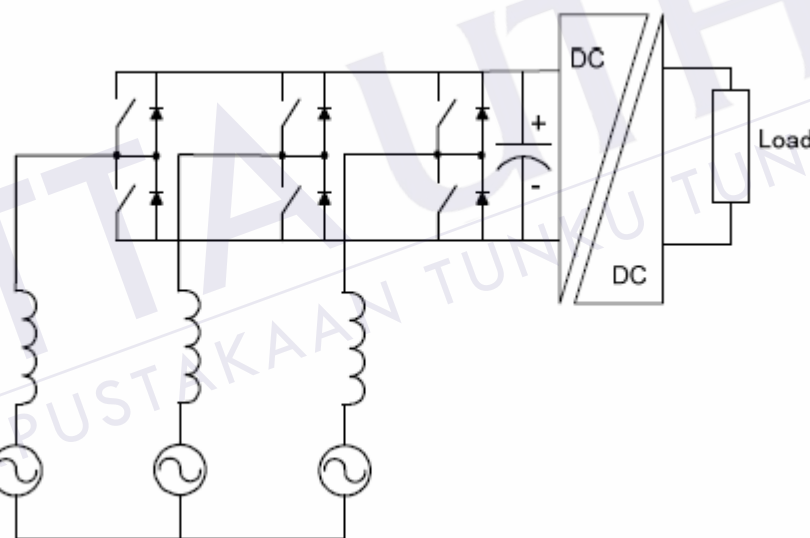


Figure 2.1 : Three-Phase Six Switch Boost Rectifier

2.2.2 Three-Phase Four Switch Boost Rectifier

The boost derived rectifier shown in Figure 2.2 , and proposed in [Abraham Pressman,1991] , has three boost inductors in them AC lines, four active switches and two series connected capacitors. The boost derived rectifier is capable of bi-directional power flow and, thus, is able to control the output voltage down to zero. The converter performs PFC by taking advantage of the fact that if two of the three line currents in a balanced three-phase system are controlled, the third is automatically constrained. This

removes the need for a third converter leg. A disadvantage is that even with a slight imbalance in the supply system, the converter performance may deteriorate considerably. DC-DC converter stage is still needed to provide isolation, voltage transformation and ripple reduction.

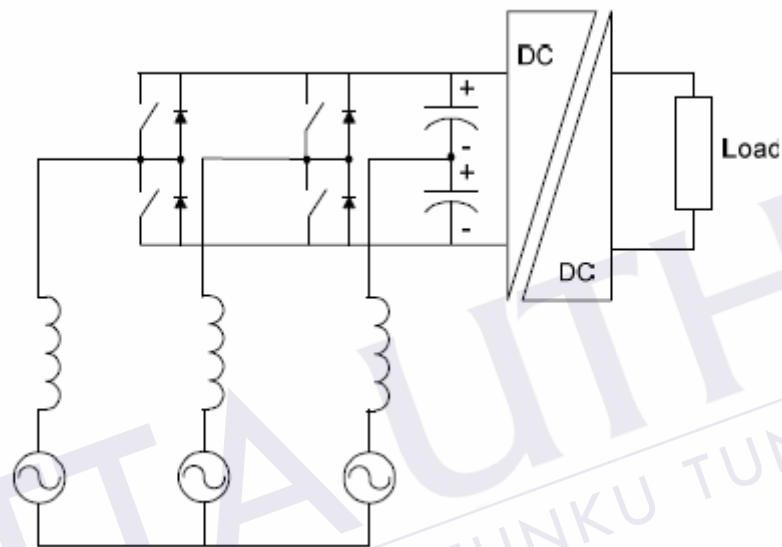


Figure 2.2: Four Switch Boost Power Converter System

2.2.3 Three Switch Boost Power Converter

The three switch boost derived converter proposed in [S. Zheng and D. Czarkowski,2007] works on the principle of current control. When two switches are conducting, the phase with the larger supply voltage is connected to the positive rail, while the phase with the smaller supply voltage is connected to the negative rail (Figure 2.3). As a result, the phase shift angle between the modulation references and supply voltages can be at most 30° . Accordingly, this topology cannot be used for bi-directional power flow. As a result, this topology suffers from startup inrush currents and, also, uncontrolled negative half cycles on all phases and fluctuations in the DC bus voltage. DC-DC converter stage is still needed to provide isolation, voltage transformation and ripple reduction.

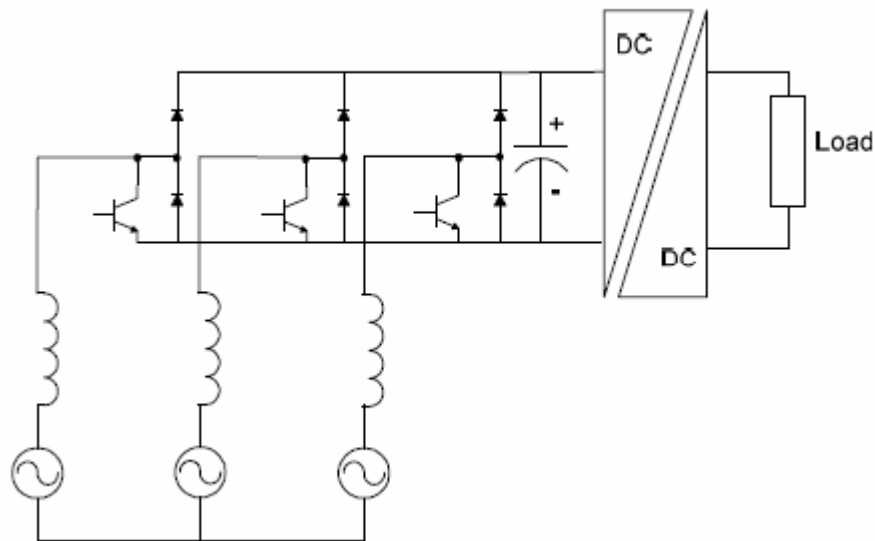


Figure 2.3 : Three Switch Boost Power Converter System

2.2.4 Vienna Rectifier

Another three-switch boost derived converter, also called the Vienna rectifier, is a unidirectional three-level PWM converter (Figure 2.4) and, as a result, suffers from startup inrush currents. The input stage creates a DC voltage across the two switches connected to the transformer primary. These two switches, in turn, regulate the voltage being applied to the primary of the transformer. Accordingly, they are able to control the output voltage generated [D.M. Mitchell ,1980] The Vienna rectifier has a complex control system and requires special semiconductor module fabrication.

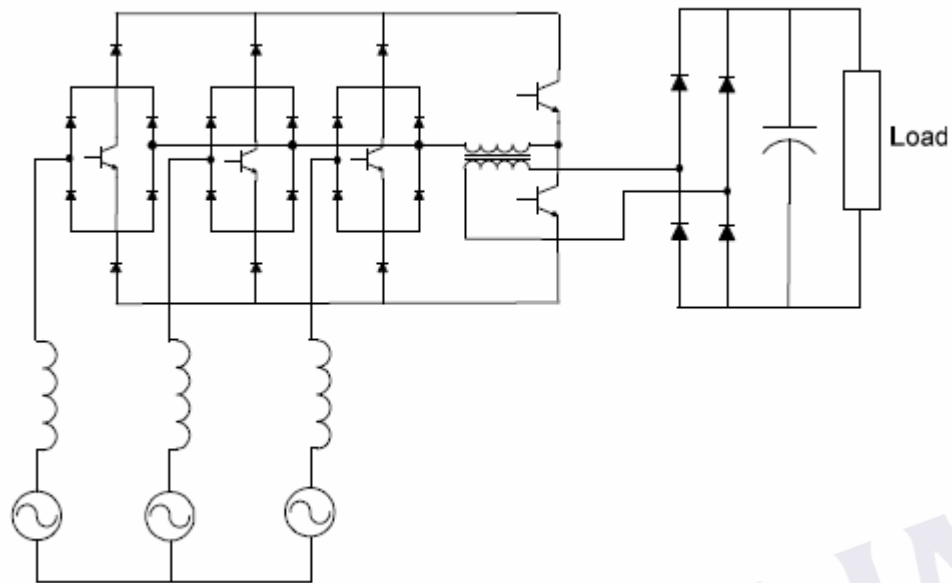


Figure 2.4: Vienna Rectifier

2.2.5 Single Switch Boost Power Converter

The single switch boost converter topology proposed in [T. Nussbaumer, M.L. Heldwein, G. Gong, S. Round, and J. Kolar, 2008] has an LC type input filter and, with the boost switch turned on at a constant frequency, the duty cycle is controlled such that the input current is always discontinuous (Figure 2.5). During the on-period of the boost switch, all three input phases become shorted through the input inductors, the six rectifier diodes and the boost switch. The three input currents begin simultaneously to increase at a rate proportional to the instantaneous values of their respective phase voltages. The specific peak current values during each on-interval are proportional to the average values of their input phase voltages during the same on-interval. The result is that each AC line current is a discontinuous waveform made up of a train of triangular pulses bounded by a sinusoidal envelope.

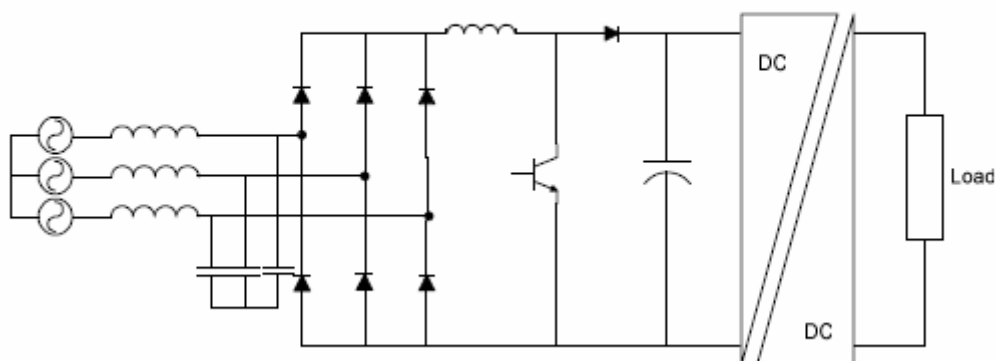


Figure 2.5 : Single Switch Boost Power Converter

2.3 Boost Rectifier with Harmonic Circuit

The quantity of input current harmonics is an important parameter to ensure the performance of a switching mode.

2.3.1 Three-Phase, Single Switch Boost Rectifier

The single switch boost rectifier proposed in [Q. Huang and F. C. Lee,1996] to reduce the magnitude of the 5th harmonic in the input current. The fifth-order-harmonic trap filter, which consists of inductances and capacitance placed at the input of the power stage. The harmonic-trap inductance can be utilized as a part of the differential-mode input filter formed by the addition of filter. One problem in using a harmonic trap in a harmonic generating power system is the possibility to excite harmonic resonances. Both series and parallel resonances may occur in a power system due to the existence of the filter and power line reactive components.

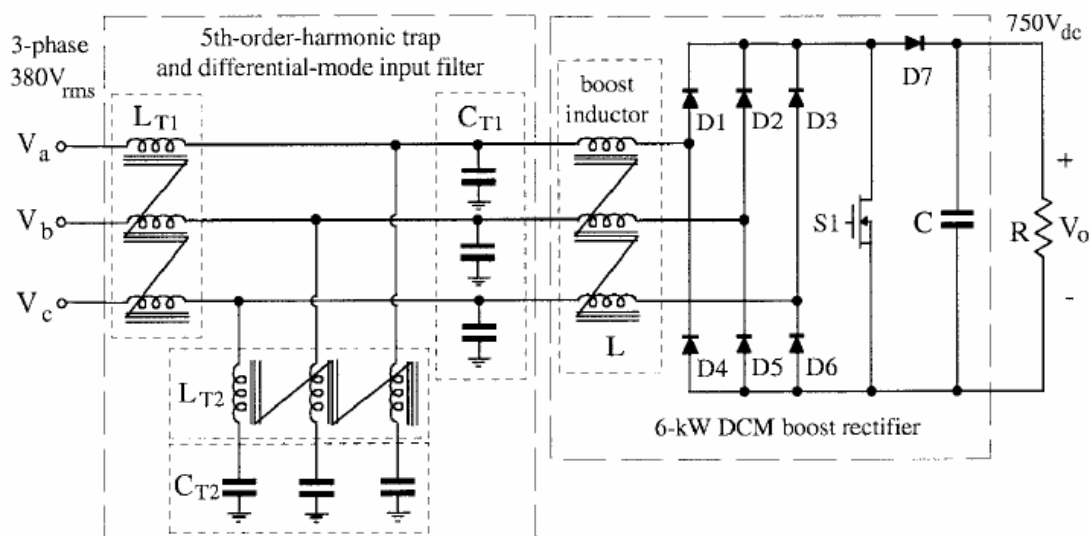


Figure 2.6: Single-switch three-phase DCM boost rectifier with 5th-harmonic trap.

The harmonic-injection method does not increase the voltage stress of the boost switch. In the technique presented in [Y. Jang and M. M. Jovanovic, 1997], a voltage signal which is proportional to the inverted ac component of the rectified three-phase line-to-line input voltage is injected into the output-voltage feedback loop to vary the duty cycle of the rectifier within a line cycle in order to reduce the fifth-order harmonic and improve the THD of the rectifier input currents.

2.4 Modulation Techniques

There are two different types of modulation techniques applied for pulse width modulation (PWM) [P. Wood, 1981]

2.4.1 Sinusoidal PWM

Technique employed where the sinusoidal waveform or modulation signal is compared with a very high frequency triangle or carrier signal to obtain the switching pulses for the device. The modulation and the carrier signals are compared such that when the sine

wave is higher in magnitude the corresponding value of the switching pulse is high (has a value = 1) and when the sine wave is lower than the carrier, the pulse is low (has a value = 0). This is shown graphically in figure 2.7.

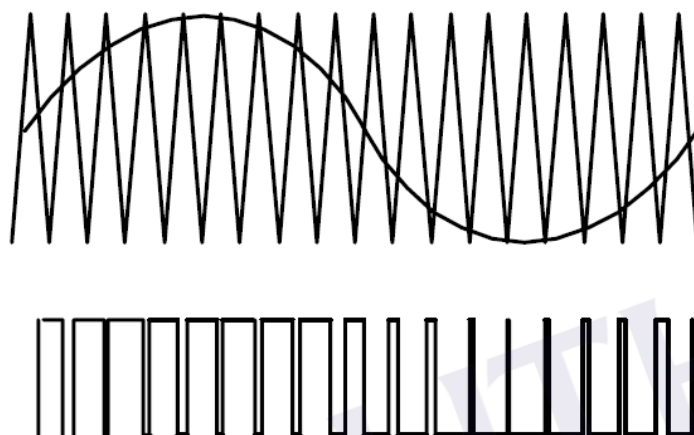


Figure 2.7 : Sine-triangle PWM

2.4.2 Generalized Discontinuous pulse width modulation (GDPWM).

Technique is represents the ac side voltages of the converter as a space vector. Each active state is represented as a vertex of a hexagon, while the null vectors are represented at the centre of the hexagon. Depending on the sector in which the reference vector lies, the switching times are calculated to generate the desired reference vector.

2.5 Active Power Filter

There are various types of active power filters and these active power filters can be classified into different categories based on the system configuration, the power circuit, the control strategy and techniques. Normally, active power filters can be classified into shunt , series or hybrid active passive power filter. The shunt active filter

shown in figure 2.8. is the most fundamental system configurations where the shunt active power filter is controlled to draw and inject compensating current, I_c^* to the power system and cancel the harmonic currents on the AC side of a general purpose rectifier. Thyristor or diode rectifier normally used in shunt active power filter.

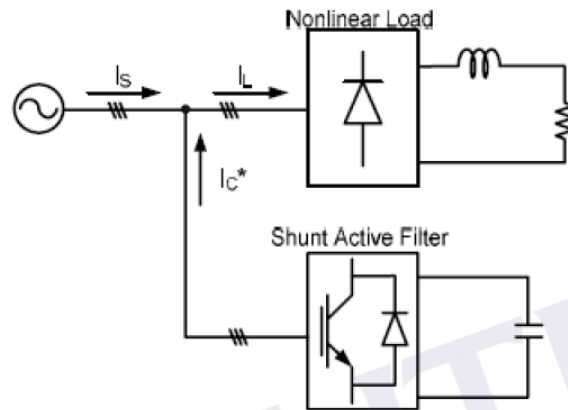


Figure 2.8. Shunt active power filter

The series active power filter show as figure 2.9 is connected in series with the utility by a matching transformer. The compensation voltage V_c^* is used to cancel the voltage harmonics of the load with high capacitance in the DC side.

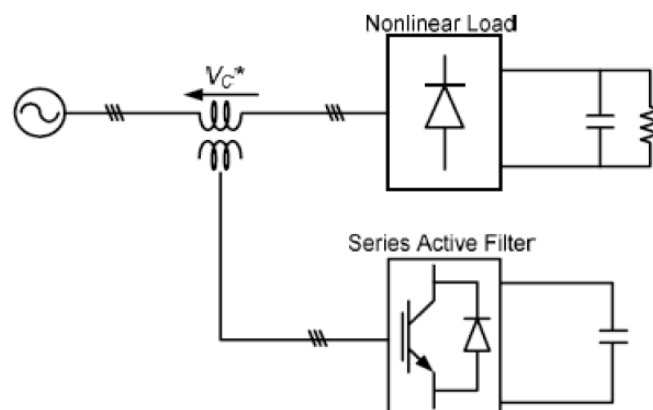


Figure 2.9 . Serie active power filter

The advantages of the active filtering process over the passive one caused much research to be performed on active power filters for power conditioning and their practical application. [Hirofumi Akagi,1994] By implementing the active power filters

for power conditioning; it provides functions such as reactive power compensations, harmonic compensations, harmonic isolation, harmonic damping, harmonic termination, negative-sequence current or voltage compensation and voltage regulation. Active power filter consists of an inverter with switching control circuit. The inverter of the active power filter will generate the desired compensating harmonics based on the switching gates provided by the controller. The total harmonic distortion (THD) of a current or voltage is equal to the effective value of all the harmonics divided by the effective value of fundamental.

The equation of a distorted current is:

$$\text{Total Harmonic Distortion (THD)} = \frac{I_H}{I_F} \quad (2.1)$$

The equation of a distorted voltage is:

$$\text{Total Harmonic Distortion (THD)} = \frac{V_H}{V_F} \quad (2.2)$$

The IEEE Standard 519-1992 specifies the maximum percentage THD permitted for both current distortion and voltage distortion. [Theodore R. Bosela]. The THD in voltage and current are defined as:

$$THD = \frac{\sqrt{\sum V_n^2}}{V_1} \times 100\% \quad (N = 2,3,4 \dots \infty) \quad (2.3)$$

$$THD = \frac{\sqrt{\sum I_n^2}}{I_1} \times 100\% \quad (N = 2,3,4 \dots \infty) \quad (2.4)$$

Where V_n and I_n = the amplitude of that harmonic relative to the fundamental
 n = harmonic number

CHAPTER 3

METHODOLOGY

3.1 Introduction

As explained in Chapter 1, rectifiers are power electronic systems that convert input ac power to output dc power. The operation of a converter can be explained in terms of the input quantities, output quantities, and the switching pattern used to obtain the preferred output. The best configuration of a boost rectifier is using pulse -width modulation technique. The pulse-width modulated rectifiers can be further divided on the basis of the relationship between the ratios of the input and output voltages. Boost rectifier has an output dc voltage that is higher in magnitude than the peak value of the ac input voltage. The switching pattern of the switches in the converter is obtained in accordance with Kirchhoff voltage law (KVL) and Kirchhoff current law (KCL). There are eight different switching modes for the boost rectifier. MATLAB-Simulink as the digital simulation tool are use in this project to simulate the three phase boost rectifier design with PWM and APF. Mastering the simulation tool and literature reviews are done first.

3.2 Development of Three Phase Boost Rectifier Design

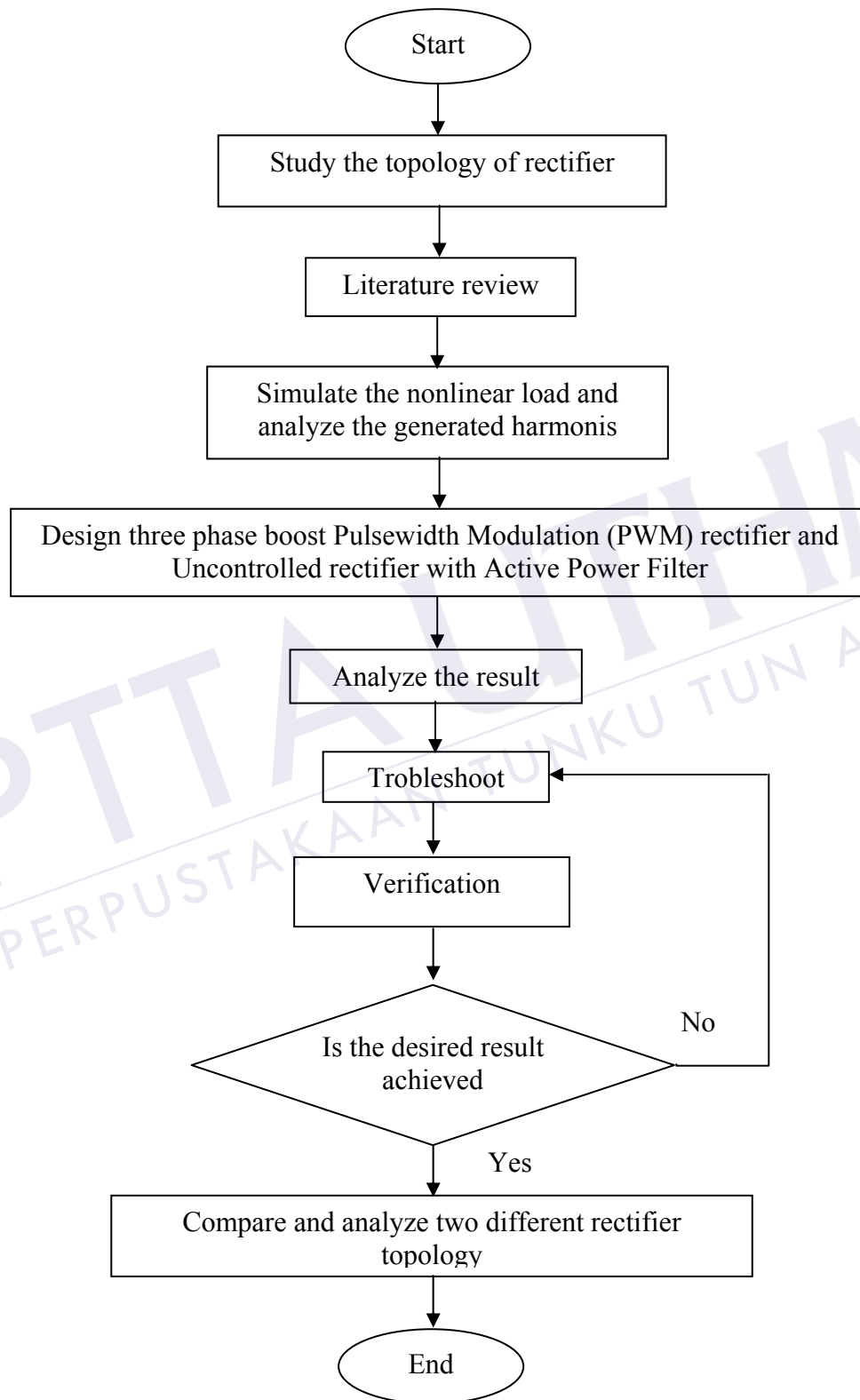


Figure 3.1: Flow chart of Three-Phase Boost Rectifier Design

3.3 Operation of Three Boost Rectifier

The application areas of the boost rectifier are varied and exhaustive due to the efficient utilization of power in the rectification process, and the boosting of the output voltage. The topology of the three-phase boost rectifier is shown in figure 3.2. The parameters of the rectifier are as defined in table 1

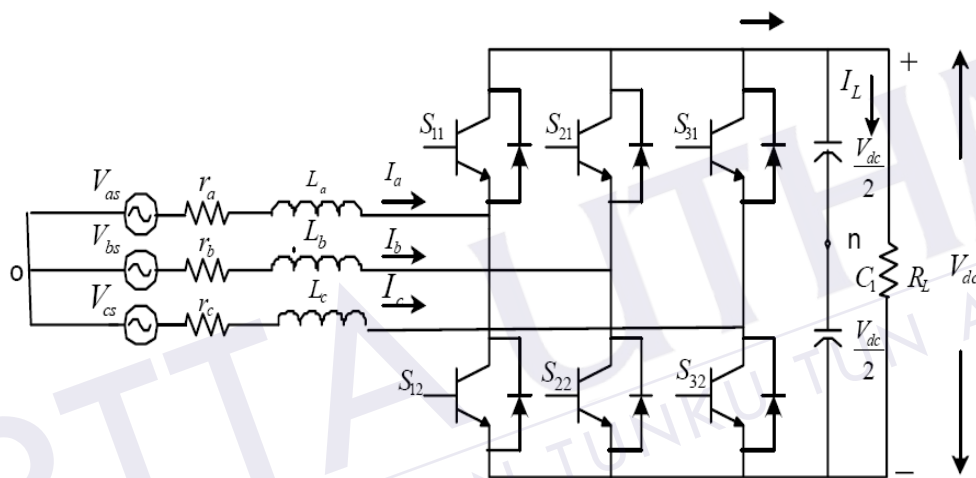


Figure 3.2: Topology of Three Phase Boost Rectifier

Table 3.1.: Variable used for three-phase boost rectifier model

V_{as}, V_{bs}, V_{cs}	Input AC side voltage
I_a, I_b, I_c	Phase current
r_a, r_b, r_c	Per phase resistance
I_L	Load Current
S_{11}, S_{21}, S_{31}	Switching function on top devices
S_{12}, S_{22}, S_{32}	Switching function on bottom devices
R_L	Load resistance
C	DC side capacitor

The three-phase boost rectifier comprises of six switches that are switched using sinusoidal pulse width modulation technique. In general, the operation of a converter can be explained in terms of the input quantities, output quantities, and the switching pattern used to obtain the desired output. The switching pattern of the switches in the converter is obtained in accordance with Kirchhoffs voltage law (KVL) and Kirchhoffs current law (KCL). The ON and .OFF. states of a single switch are assumed to have values 0 and 1.

In a three-phase rectifier, the input ac voltages are defined and the output dc voltage is dependent on the input quantities as well as the switching pattern of the rectifier. The switching pattern for any converter can be expressed as a function, which is a mathematical representation of the switching pattern, called an existence function.

[P. Wood,1981]

There are two different types of existence functions, modulated and unmodulated. Modulated existence functions have pulses of varying widths, and unmodulated functions have pulses of uniform width. The operating modes of the boost rectifier are the same as that of a three-phase voltage source inverter. There are eight different switching modes for the boost rectifier. As explained earlier the ON and OFF states are assigned the values 1 and 0, respectively.

Table 3.2: Switching mode for boost rectifier

S.No	S ₁₁	S ₂₁	S ₃₁
1	0	0	0
2	0	0	1
3	0	1	0
4	0	1	1
5	1	0	0
6	1	0	1
7	1	1	0
8	1	1	1

From the above eight possible switching modes, only six modes can be used in synthesizing a dc voltage, and are called active states. The two states (1 and 8) are called null states as these states do not result in an output dc voltage and are thereby inactive.

Equations (3.1) to (3.3) show that at no instant of time can the top and bottom devices of the same leg be ON simultaneously

$$S_{11} + S_{21} = 1 \quad (3.1)$$

$$S_{21} + S_{31} = 1 \quad (3.2)$$

$$S_{31} + S_{32} = 1 \quad (3.3)$$

REFERENCES

- G. Chesi. Estimating the domain of attraction for non-polynomial systems via LMI optimizations. *Automatica*, 45(6):1536–1541, 2009.
- Mohan, N., Undeland, T., and Robbins, W.: ‘*Power electronics converters, applications and design*’, (John Wiley & Sons Inc, 1995)
- Enrique Acha. *Switching Power Supply Design*. McGraw-Hill, 1997
- P. Wood, *Switching Power Converters*, Van Nostrand Reinhold Company, 1981
- V. Blasko, V. Vaura and W. Niewiadomski, “*Sampling of Discontinuous Voltage and Current Signals in Electrical Drives: A System Approach*”, IEEE Transactions on Industrial Applications, Vol. 34, No. 5, pp. 1123-1130, Sept. 1998.
- Abraham Pressman, “*Switching Power Supply Design*”, McGraw-Hill Inc., 1991
- S. Zheng and D. Czarkowski, “*Modelling and Digital Control of a Phase-Controlled Series-Parallel Resonant Converter*”, IEEE Transactions on Industrial Electronics, Vol. 54, No. 2, pp.707-715, April 2007.
- D.M. Mitchell, “*Pulsewidth Modulator Phase Shift*”, IEEE Transactions on Aerospace Electronics, Vol. AES-16, No. 3, pp. 272-278 May 1980.
- T. Nussbaumer, M.L. Heldwein, G. Gong, S. Round, and J. Kolar, “*Comparison of Prediction Techniques to Compensate Time Delays Caused by Digital Control of a Three-Phase Buck-Type PWM Rectifier System*”, IEEE Transactions on Industrial Electronics, Vol. 55, No. 2, Feb. 2008.

- Q. Huang and F. C. Lee, “*Harmonic reduction in a single-switch, three phase boost rectifier with high order harmonic injected PWM,*” in *Conf. Rec. IEEE PESC’96*, 1996, pp. 1266–1271.
- Y. Jang and M. M. Jovanovic, “*A novel, robust, harmonic injection method for single-switch, three-phase, discontinuous-conduction-mode boost rectifiers,*” in *Conf. Rec. IEEE PESC’97*, 1997, pp. 469–475
- B. K. Bose, *Power Electronics and Variable Frequency Drives*, IEEE Press, Piscataway, NJ, 1996
- Chua, Leon. O, *Linear and Nonlinear Circuits*, McGraw-Hill, New York, 1987
- S. Fukuda and K. Koizumi, . Optimal Control of a Three Phase Boost Rectifier for Unity Power Factor and Reduced Harmonics,. *Proc International Conference Power Electronics and Drive Systems*, vol. 1, pp. 34-39, February 1995.
- Olorunfemi Ojo, Olufemi Osaloni, Parag Kshirsagar, . The Generalized Discontinuous PWM Modulation Scheme for Three-Phase Voltage Source Inverters,. *Proc IEEE IECON 2003 Annual Conference*, Vol 2. pp.1629-1636, 2005.
- Q. Huang, F.C. Lee, Harmonic reduction in a single-switch, three-phase boost rectifier with high order harmonic injected PWM, in: *Proceedings of the IEEE, PESC Conference, Baveno, Italy, 1996*, pp. 1266–1271.
- J.W. Kolar, H. Ertl, F. Zach, Space vector-based analytical analysis of the input current distortion of a three-phase discontinuous-mode boost rectifier system, in: *Conference on Record IEEE PESC, 1993*, pp. 696– 703.
- A. Ueda, Y. Ito, Y. Kurimoto, A. Torii, Boost type three-phase diode rectifier using current resonant switch, in: *Conference Record IEEE, Power Conversion Conference, vol. 1, PCC Osaka, 2002*, pp. 13– 18.

- T.S. Key, J.-S. Lai, IEEE and International Harmonic Standards Impact on Power Electronic Equipment Design, IEEE, IECON, New Orleans, USA, 1998, pp.430-436.
- P. Barbosa, F. Canales, J.-C. Crebier, F.C. Lee, Interleaved three-phase boost rectifiers operated in the discontinuous conduction mode: analysis, design considerations and experimentation, IEEE Trans. Power Electron. PE-16 (5) (2001) 724–734
- SGS-Thomson Microelectronics, "Power Switching Regulators," Designer's Booklet, 1st edition, September 1993
- C. Zhou, *Design and Analysis of an Active Power Factor Correction Circuit*, M. S. Thesis, Virginia Polytechnic Institute and State University, Sept. 1989
- M. J. Kocher, R. L. Steigerwald, "An AC-to-DC Converter with High Quality Input Waveforms," IEEE Trans. on Industry Applications, Vol. 1A-19, No. 4, July/August, 1983, pp. 586-599
- E Acha, V.G. Agelidis, O. Anaya-Lara, T.J.E. Miller, (2002). "Power Electronic Control in Electrical Systems", Planta Tree, Newnes, pp. 27, 72
- Emílio F. Couto, Júlio S. Martins, João L. Afonso, *Simulation Results of a Shunt Active Power Filter with Control Based on p-q Theory*, Department of Industrial Electronic University of Minho
- H. Doğan, R. Akkaya, (March 18 - 20, 2009). "A Simple Control Scheme for Single-Phase Shunt Active Power Filter with Fuzzy Logic Based DC Bus Voltage Controller", *Proceedings of the International Multi Conference of Engineers and Computer Scientists 2009 Vol III MECS 2009, Hong Kong*
- Mohan, N, Undeland, T and Robbins, W (1995). *Power Electronics-Converters, Application, and Design*. 2nd edition. Canada: John Wiley & Sons, Inc.
- Moleykutty George and Kartik Prasad Basu, (2008). "Three-Phase Shunt Active Power Filter", *American Journal of Applied Sciences* 5 (8): pp.909-916

M. Rastogi, R. Naik, and N. Mohan, "A comparative evaluation of harmonic reduction techniques in three-phase utility interface of power electronic loads," in *IEEE, /AS Ann. Meet., Con\$ Rec.*, 1993,

N. Mohan, M. Rastogi, and R. Naik, "Analysis of a new power electronics interface with approximately sinusoidal 3-phase utility currents and a regulated dc output," *IEEE Trans. Power Delivery*, pp. 540-546, Apr. 1993.

Mohan, N., Undeland, T., and Robbins, W.: 'Power electronics– converters, applications and design', (John Wiley & Sons Inc, 1995)

Chung, D.W., and Sul, S.K.: 'Minimum-loss strategy for three-phase PWM rectifier', *IEEE Trans. Ind. Electron.*, 1999, 46, (3), pp. 517–526

Alexa, D., and Lazar, A.: 'Optimisation of PWM Techniques with Partially Constant Modulating Waves', *Electr. Eng.*, 2000, 82, (5), pp. 263–272

M. P. Kazmierkowski, R. Krishnan, and F. Blaabjerg, *Control in Power Electronics*. San Diego, CA: Academic, 1999

Y. Sato and T. Kataoka, "A current-type PWM rectifier with active damping function," *IEEE Trans. Ind. Appl.*, vol. 32, no. 3, pp. 533–541, May/Jun. 1996.

M. H. Bierhoff and F. W. Fuchs, "The generically equal harmonic behavior of three phase PWM voltage and current source converters," in *Proc. Power Electron. Intell. Control Energy Conserv.*, Warsaw, Poland, 2005

Ashish Tewari,(2002). *Modern Control Design with MATLAB and Simulink*, British Library Cataloguing in Publication Data.

JOs Arrillaga, Neville R Watson,(2003). "power system Harmonics", University of Canterbury, Christchurch, New Zealand, Wiley, second edition, pp. 156-168

E. L. Owen, "A history of harmonics in power systems," *IEEE Ind. Appl. Mag.*, vol. 4, no. 1, pp. 6–12, Jan./Feb. 1998

- H. Fujita and H. Akagi, "A practical approach to harmonic compensation in power systems—Series connection of passive and active filters," *IEEE Trans. Ind. Appl.*, vol. 27, no. 6, pp. 1020–1025, Nov./Dec. 1991
- J. C. Salmon, "3-phase pwm boost rectifier circuit topologies using 2-level and 3 level asymmetrical half-bridges," in *Proc. IEEE APEC'95*, 1995, pp. 842–848.



PTTA UTHM
PERPUSTAKAAN TUNKU TUN AMINAH